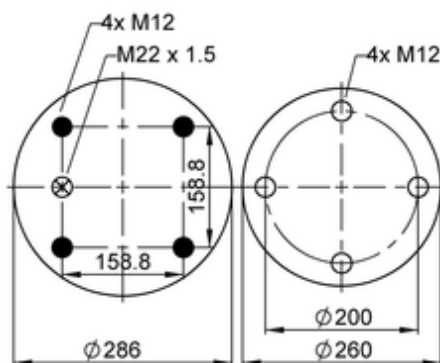
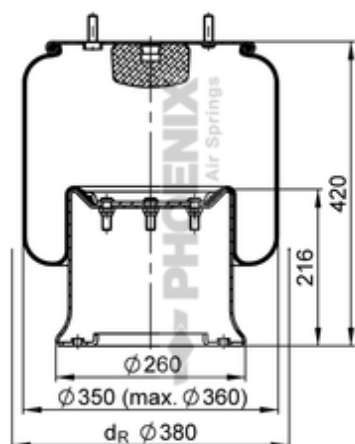

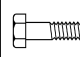





1 D 28 D-2

71587



● bolt or stud ○ hole ⊗ combination stud ⊗ air inlet

	14,5 kg
	K002
	
	M12: max. 70 Nm
	M22x1.5: max. 20 Nm

OE Manufacturer/Reference No.

Manufacturer	Original-part no.	Model
Hendrickson	507 782	
Weweler	US 96681	
Meritor	2122 2673	