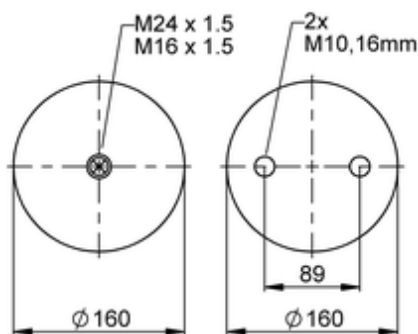
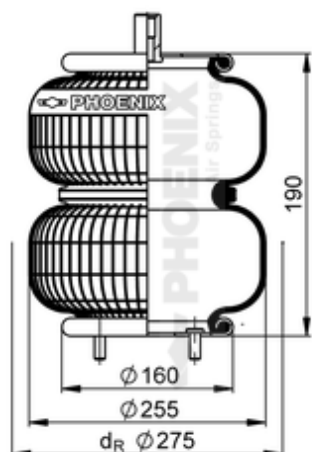







SP 2 B 12 R-B-1

601031



-  bolt or stud
-  hole
-  combination stud
-  air inlet

 kg	3,1 kg
	10003723
	M10: max. 40 Nm
	M16x1.5: max. 20 Nm
	M24x1.5: max. 60 Nm

OE Manufacturer/Part No.

Manufacturer	Original Part No.	Model
Volvo	20 541 504	FM / FH
Volvo	22 573 233	FM / FH