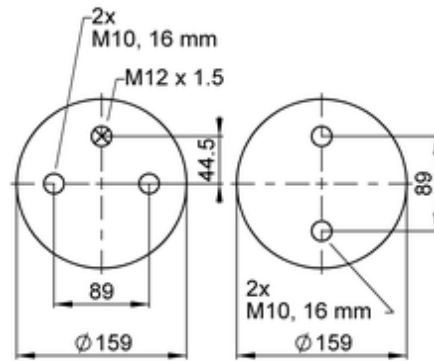
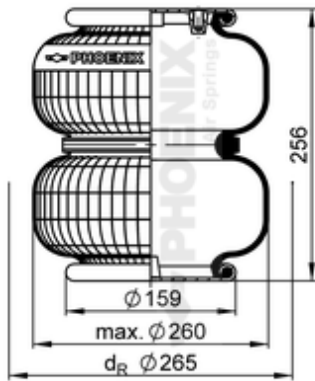






SP 2 B 12 R-A-3

71769



● bolt or stud ○ hole ⊗ combination stud ⊗ air inlet

	3 kg
	10002475
	M10: max. 35 Nm
	M12x1.5: max. 40 Nm

OE Manufacturer/Part No.

Manufacturer	Original Part No.	Model
SAF - Holland	1608	
SAF - Holland	4.229.1005.00	1608
SAF - Holland	4.229.1005.01	1608