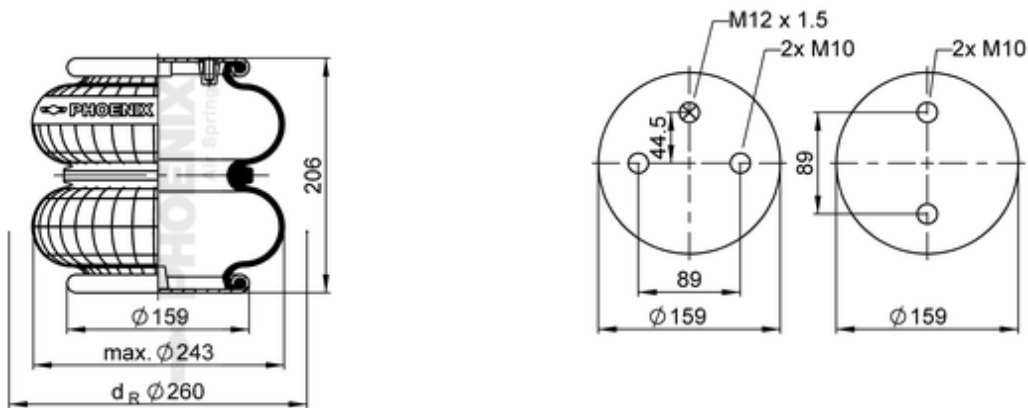


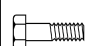




SP 2 B 12 R-5

71526



● bolt or stud      ○ hole      ⊗ combination stud      ⊗ air inlet

	2,8 kg
	10002260
	K023
	M10: max. 35 Nm
	M12x1.5: max. 40 Nm

OE Manufacturer/Part No.

Manufacturer	Original Part No.	Model
Scania	1723523	
Granning	15599	
Kögel	6501706	
Scania	1319761	
Scania	1387289	
Kögel	6502824	
SAF - Holland	4.229.1004.00	1609

