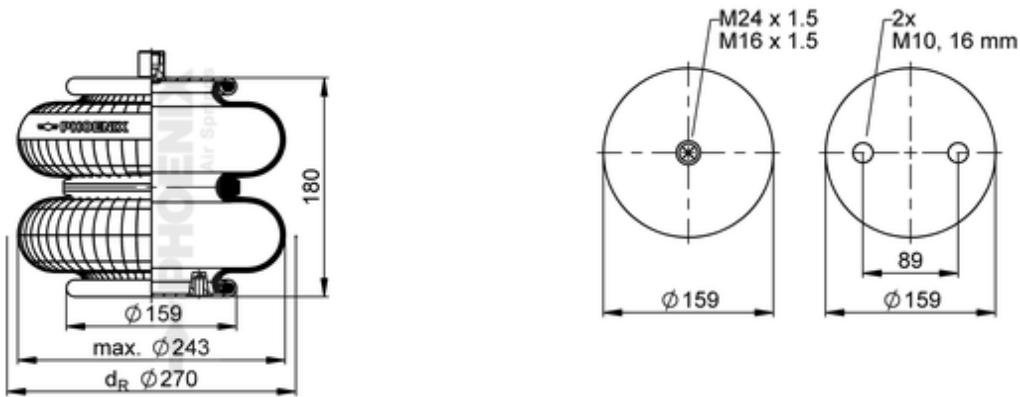






SP 2 B 12 R-17

77371



● bolt or stud ○ hole ⊗ combination stud ⊗ air inlet

 kg	3 kg
	10003314
	M10: max. 35 Nm
	M24x1.5: max. 100 Nm

OE Manufacturer/Part No.

Manufacturer	Original Part No.	Model
Mercedes	942 327 06 01	
Mercedes	A 942 327 06 01	Hendrickson MLA1
Hendrickson	HS505613	MLA1