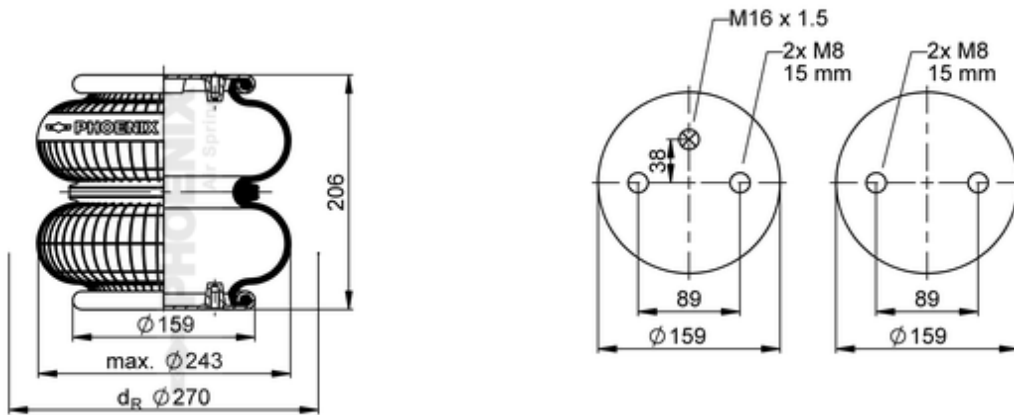






SP 2 B 12 R-16

75061



 bolt or stud
  hole
  combination stud
  air inlet

 kg	2,9 kg
	10003175
	M16x1.5: max. 25 Nm
	M8: max. 25 Nm

OE Manufacturer/Part No.

Manufacturer	Original Part No.	Model
KRONE	550018054	
Gigant	00190130	
KRONE	550011095	