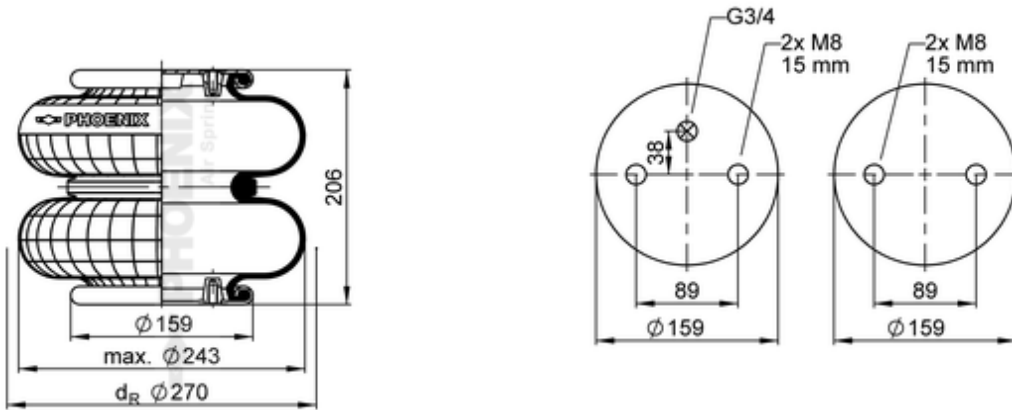






SP 2 B 12 R-1

71263



 bolt or stud
  hole
  combination stud
  air inlet

 kg	2,9 kg
	10002023
	G3/4: max. 50 Nm
	M8: max. 30 Nm

OE Manufacturer/Part No.

Manufacturer	Original Part No.	Model
Gigant	700190130	
Gigant	00190130	
Gigant	190130	