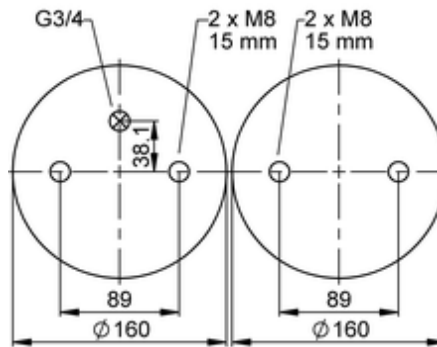
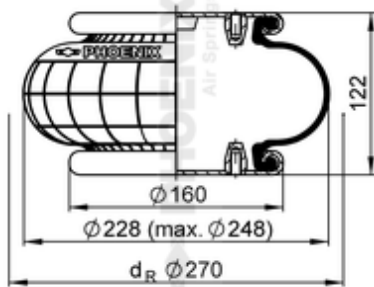






SP 1 B 12-1

71262



-  bolt or stud
-  hole
-  combination stud
-  air inlet

 kg	2,4 kg
	10002022
	G3/4: max. 50 Nm
	M8: max. 25 Nm

OE Manufacturer/Part No.

Manufacturer	Original Part No.	Model
--------------	-------------------	-------