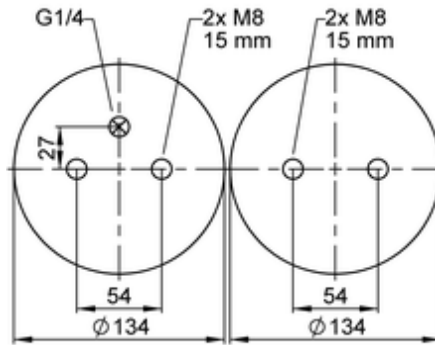
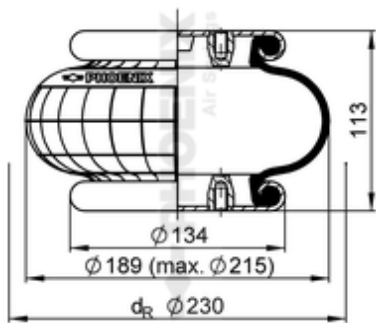







SP 1 B 07

71320



-  bolt or stud
-  hole
-  combination stud
-  air inlet

	1,7 kg
	10002071
	G1/4: max. 35 Nm
	M8: max. 30 Nm

OE Manufacturer/Part No.

Manufacturer	Original Part No.	Model
--------------	-------------------	-------