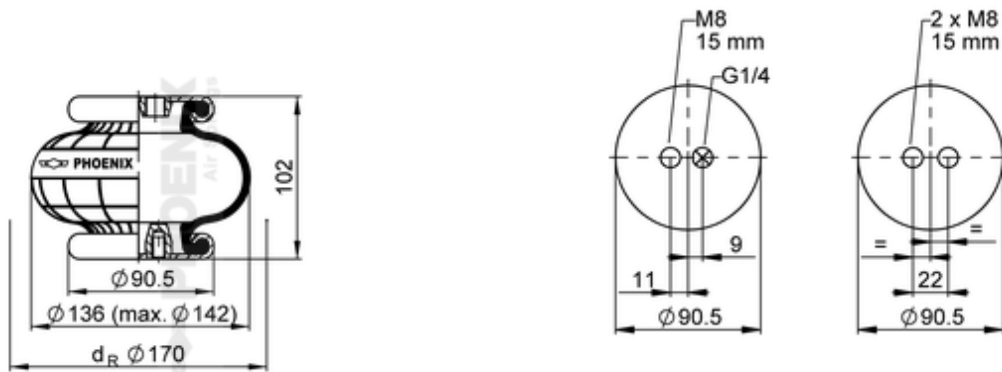






SP 1 B 04

71296



● bolt or stud ○ hole ⊗ combination stud ⊗ air inlet

 kg	1 kg
	10002049
	G1/4: max. 35 Nm
	M8: max. 30 Nm

OE Manufacturer/Part No.

Manufacturer	Original Part No.	Model
--------------	-------------------	-------