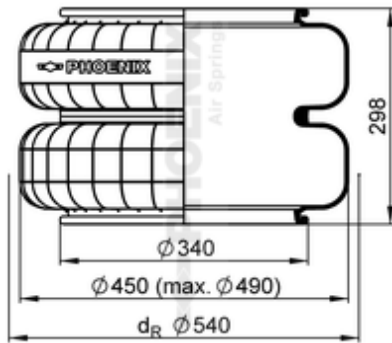


2 B 49 R-B

71286





● bolt or stud

○ hole

⊗ combination stud

⊗ air inlet

	3,9 kg
	10002041

OE Manufacturer/Part No.

Manufacturer	Original Part No.	Model
Kässbohrer	4.731.025.000	
Volvo	1 593 700	