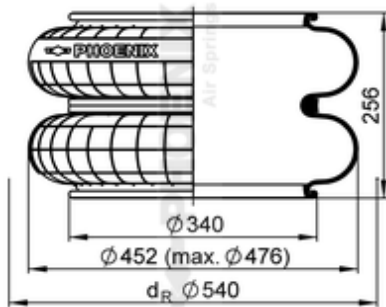




2 B 49 R-A

71285



-  bolt or stud
-  hole
-  combination stud
-  air inlet

		3,8 kg
		10002040

OE Manufacturer/Part No.

Manufacturer	Original Part No.	Model
Kässbohrer	4.731.035.100	
Kässbohrer	4.731.035.200	