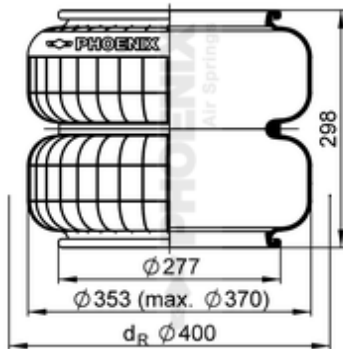




2 B 34 R-B

71457



● bolt or stud ○ hole ⊗ combination stud ⊗ air inlet

	3,3 kg
	10002198

OE Manufacturer/Part No.

Manufacturer	Original Part No.	Model
Kässbohrer	4.731.034.100	
Kässbohrer	4.731.034.200	