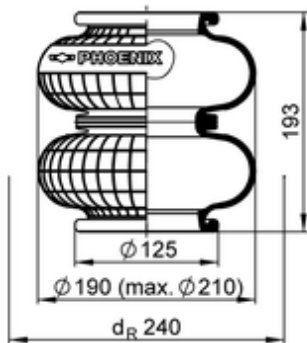


2 B 07 R

71455





● bolt or stud

○ hole

⊗ combination stud

⊗ air inlet

Article status	Normal
GTIN/EAN	4054389106644
Bellow number	2 B 07 R
 kg	0,8 kg
	10002196

OE Manufacturer/Part No.

Manufacturer	Original Part No.	Model
--------------	-------------------	-------