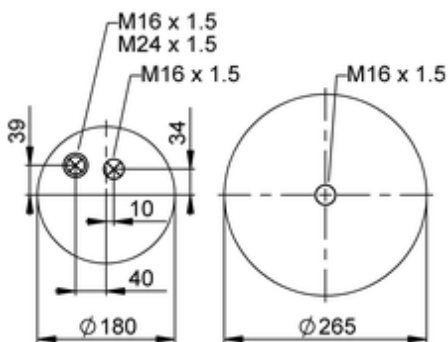
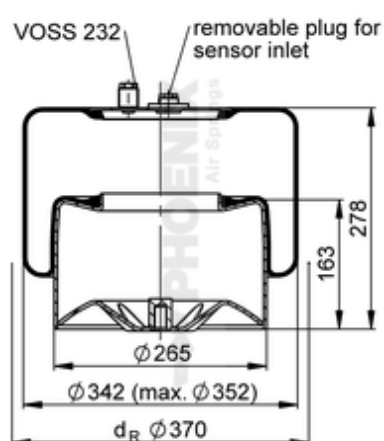


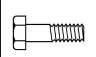






1 KF 32-23

73175



● bolt or stud ○ hole ⊗ combination stud ⊗ air inlet

	9,3 kg
	10003023
	K021
	
	M16x1.5: max. 130 Nm
	M16x1.5: max. 25 Nm
	M24x1.5: max. 100 Nm

OE Manufacturer/Part No.

Manufacturer	Original Part No.	Model
Mercedes	942 320 23 21	
Mercedes	942 320 14 21	
Mercedes	942 320 22 21	
Mercedes	942 320 13 21	

Mercedes	A 942 320 13 21	Actros
Mercedes	A 942 320 14 21	Actros
Mercedes	A 942 320 23 21	Actros MP2
Mercedes	A 942 320 22 21	Actros MP2