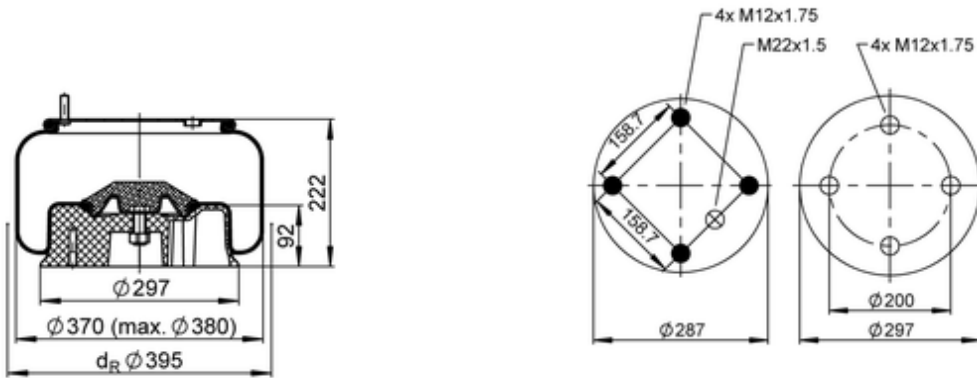





1 D 28 L-1

55270



● bolt or stud      ○ hole      ⊗ combination stud      ⊗ air inlet

Article status	In Preparation
GTIN/EAN	4054389142246
Bellow number	1 D 28 L
 kg	9,1 kg
	10179822
	

**OE Manufacturer/Part No.**

Manufacturer	Original Part No.	Model
HENDRICKSON	Y507737	