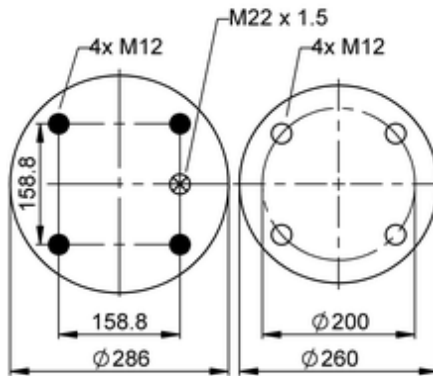
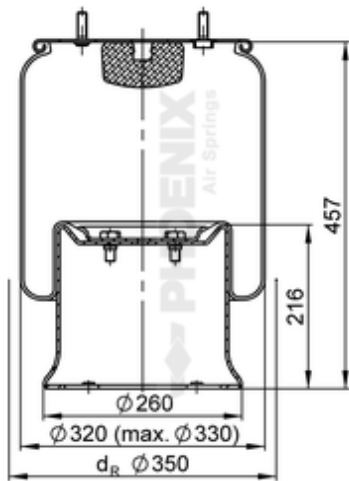


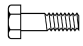





1 D 28 H-13

71552



-  bolt or stud
-  hole
-  combination stud
-  air inlet

	13,4 kg
	10002281
	K002
	
	M12: max. 70 Nm
	M22x1.5: max. 80 Nm

OE Manufacturer/Part No.

Manufacturer	Original Part No.	Model
SMB	M060770	