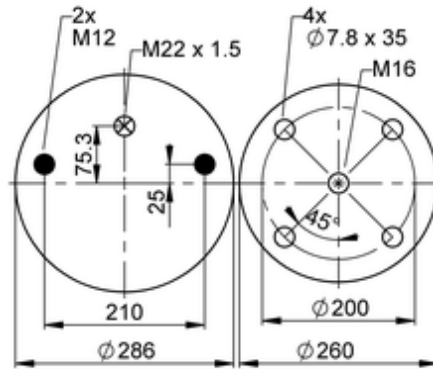
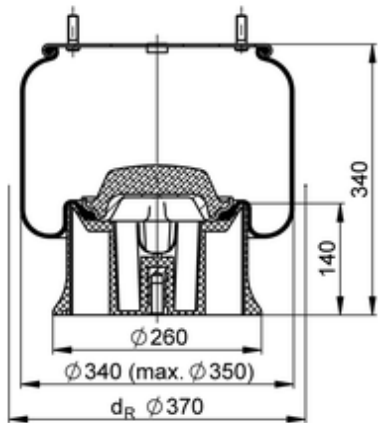


1 D 28 E-2

75057



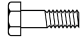






● bolt or stud

○ hole

⊗ combination stud

⊗ air inlet

Article status	Normal
GTIN/EAN	4054389124129
Bellow number	1 D 28 E
 kg	9,3 kg
	10003174
	K014
	
	M12: max. 70 Nm
	M16: max. 130 Nm
	M22x1.5: max. 20 Nm

OE Manufacturer/Part No.

<b>Manufacturer</b>	<b>Original Part No.</b>	<b>Model</b>
SAF - Holland	2919V	
SAF - Holland	03229004200	
SAF - Holland	3.229.0042.00	2919 V