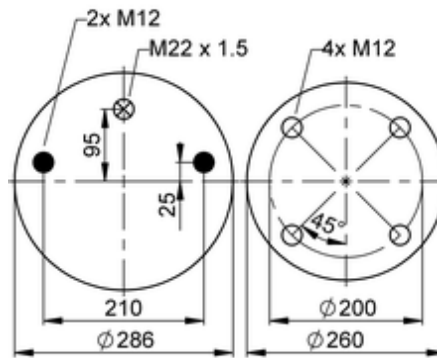
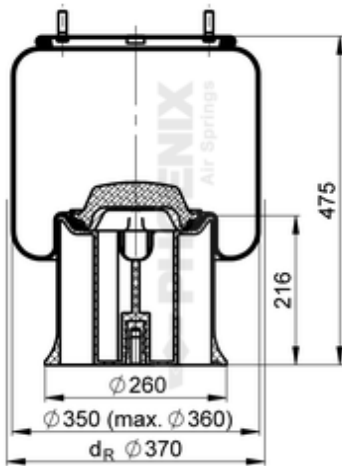








1 D 28 D-11

78143



● bolt or stud ○ hole ⊗ combination stud ⊗ air inlet

	11,6 kg
	10003388
	
	M12: max. 70 Nm
	M16: max. 130 Nm
	M22x1.5: max. 20 Nm

OE Manufacturer/Part No.

Manufacturer	Original Part No.	Model
SAF - Holland	2927V	
SAF - Holland	3.229.0047.00	2927 V