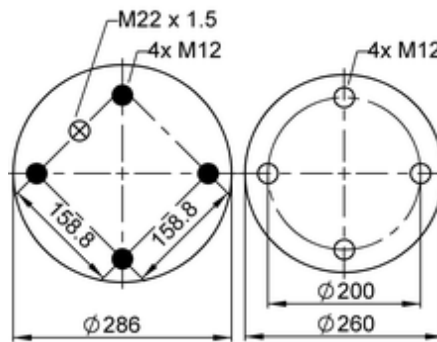
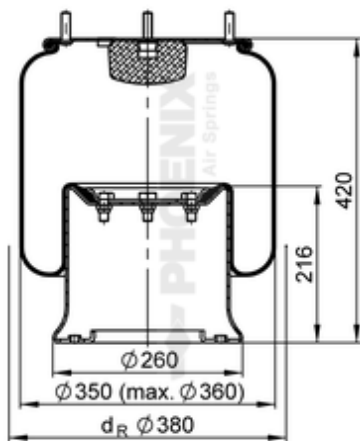


1 D 28 C-12

71347



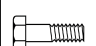





● bolt or stud

○ hole

⊗ combination stud

⊗ air inlet

	13,7 kg
	10002095
	K002
	
	M12: max. 70 Nm
	M22x1.5: max. 20 Nm

OE Manufacturer/Part No.

Manufacturer	Original Part No.	Model
Scania	1873856	
Meritor	2122 1349	
Weweler	YP07380F	
SAMRO	H2500361	
Weweler	US 07380	

Fruehauf	UJB 0305-001		
SAF - Holland	2926		
SAF - Holland	3.229.0024.00		2926