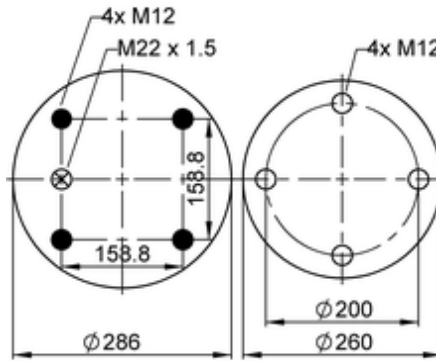
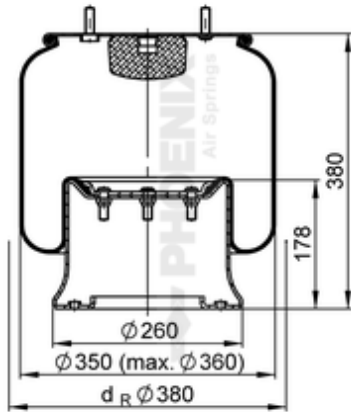


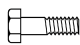





1 D 28 B-12

71747



-  bolt or stud
-  hole
-  combination stud
-  air inlet

|   |                     |
|---|---------------------|
|  | 12,7 kg             |
|  | 10002456            |
|  | K002                |
|  |                     |
|  | M12: max. 70 Nm     |
|  | M22x1.5: max. 20 Nm |

**OE Manufacturer/Part No.**

| Manufacturer | Original Part No. | Model |
|--------------|-------------------|-------|
| Meritor      | 2122 2239         |       |