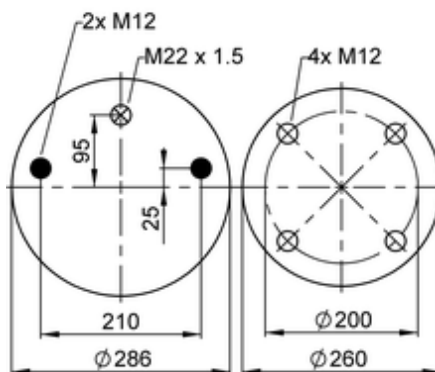
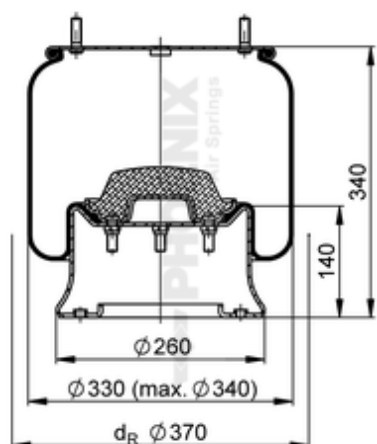


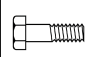





1 D 28 A-10

71563



● bolt or stud      ○ hole      ⊗ combination stud      ⊗ air inlet

|   |                     |
|---|---------------------|
|  | 12,5 kg             |
|  | 10002290            |
|  | K001                |
|  |                     |
|  | M12: max. 70 Nm     |
|  | M22x1.5: max. 20 Nm |

OE Manufacturer/Part No.

| Manufacturer  | Original Part No. | Model      |
|---------------|-------------------|------------|
| Scania        | 1723275           |            |
| SAF - Holland | 2918V             |            |
| SAF - Holland | 3.229.0027.00     | 2918 V     |
| SAF - Holland | 3.229.2227.00     | 2918 V     |
| SAF - Holland | 3.229.2127.00     | 2918 V P01 |

