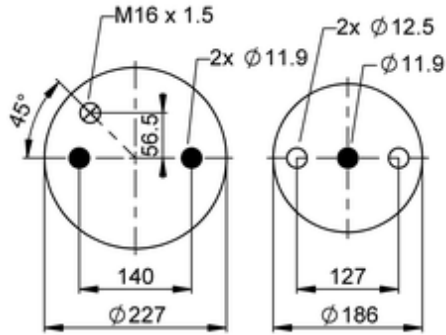
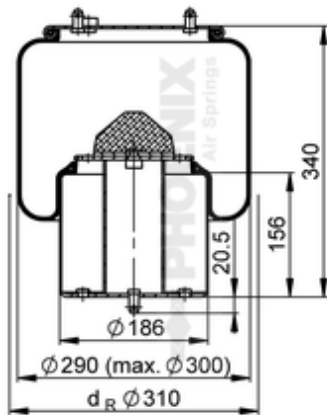


1 DF 20 A-10

74030



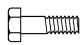




● bolt or stud

○ hole

⊗ combination stud

⊗ air inlet

	7,7 kg
	10003095
	K031
	
	M16x1.5: max. 20 Nm

OE Manufacturer/Part No.

Manufacturer	Original Part No.	Model
Scania	2024288	