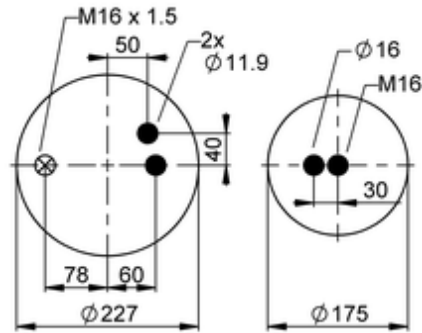
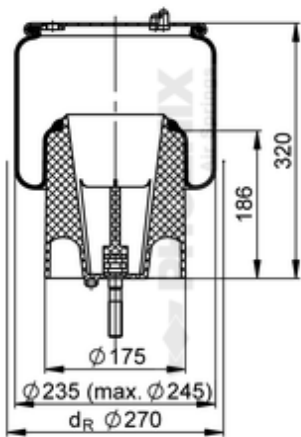





1 DF 17 B-2

74996



● bolt or stud      ○ hole      ⊗ combination stud      ⊗ air inlet

 kg	5,5 kg
	10003168
	

OE Manufacturer/Part No.

Manufacturer	Original Part No.	Model
Scania	2617884	
Scania	1932592	Scania P,R,T
Scania	1434930	Scania