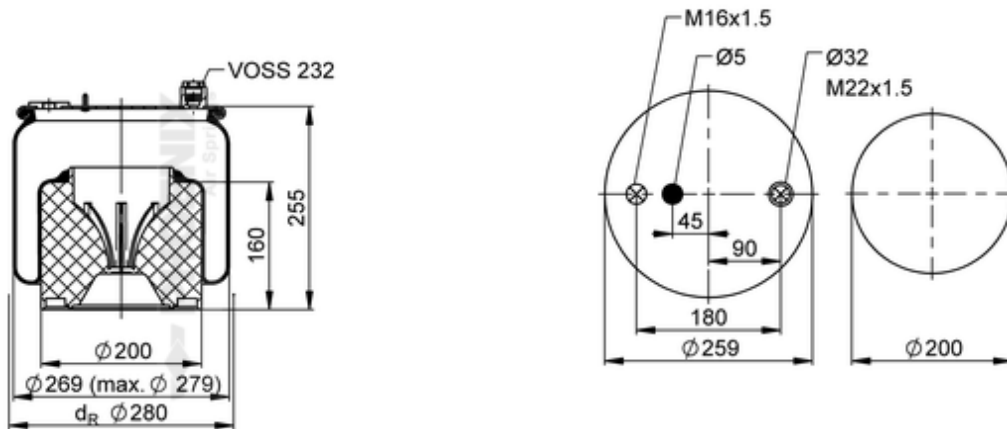


1 DF 16 A-2

601059






● bolt or stud

○ hole

⊗ combination stud

⊗ air inlet

	6,5 kg
	10003744
	

OE Manufacturer/Part No.

Manufacturer	Original Part No.	Model
Mercedes	960 320 01 57	
Mercedes	960 320 77 21	
Mercedes	960 320 68 57	
Mercedes	A 960 320 01 57	Actros MP4
Mercedes	A 960 320 77 21	Actros MP4
Mercedes	A 960 320 68 57	Actros MP4