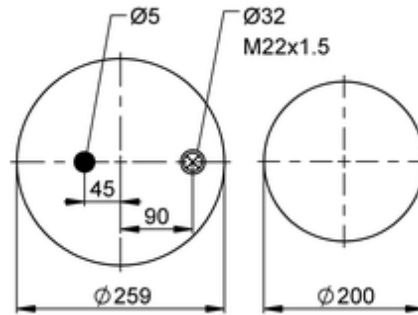
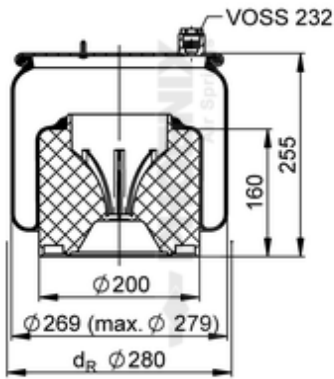





1 DF 16 A-1

601058



-  bolt or stud
-  hole
-  combination stud
-  air inlet

	6,4 kg
	10003743
	

**OE Manufacturer/Part No.**

Manufacturer	Original Part No.	Model
Mercedes	960 320 67 57	
Mercedes	960 320 70 21	
Mercedes	960 320 00 57	
Mercedes	A 960 320 67 57	Actros MP4
Mercedes	A 960 320 70 21	Actros MP4
Mercedes	A 960 320 00 57	Actros MP4