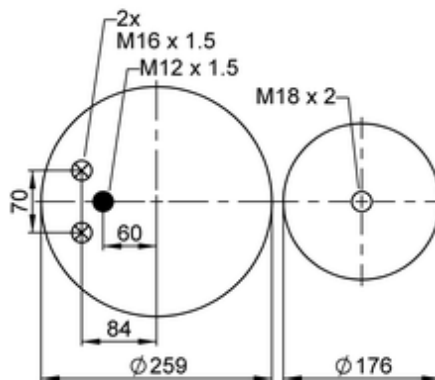
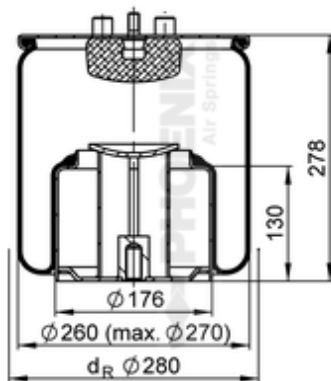


1 DF 16-2

73431



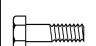


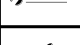



● bolt or stud

○ hole

⊗ combination stud

⊗ air inlet

	7,7 kg
	10003042
	K033
	
	M12x1.5: max. 40 Nm
	M16x1.5: max. 40 Nm
	M18x2: max. 270 Nm

OE Manufacturer/Part No.

Manufacturer	Original Part No.	Model
MAN	81.43600.6079	
MAN	81.43600.6036	TGA / TGX
MAN	81.43600.6056	TGS

