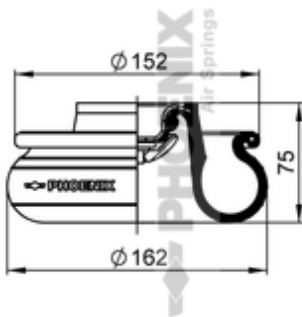


1 A 05 Z

71537




● bolt or stud

○ hole

⊗ combination stud

⊗ air inlet

 kg	0,6 kg
--	--------

**OE Manufacturer/Part No.**

Manufacturer	Original Part No.	Model
Mercedes	A 112 320 00 21	