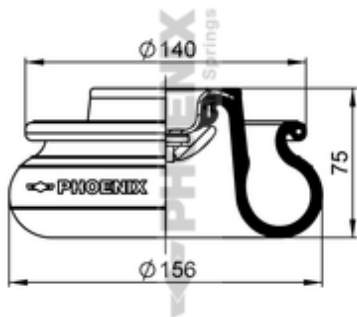


1 A 04 Z


71536



- bolt or stud
 
 hole
 

⊗ combination stud
 

⊗ air inlet

	0,6 kg
---	--------

**OE Manufacturer/Part No.**

Manufacturer	Original Part No.	Model
Mercedes	A 112 320 00 17	